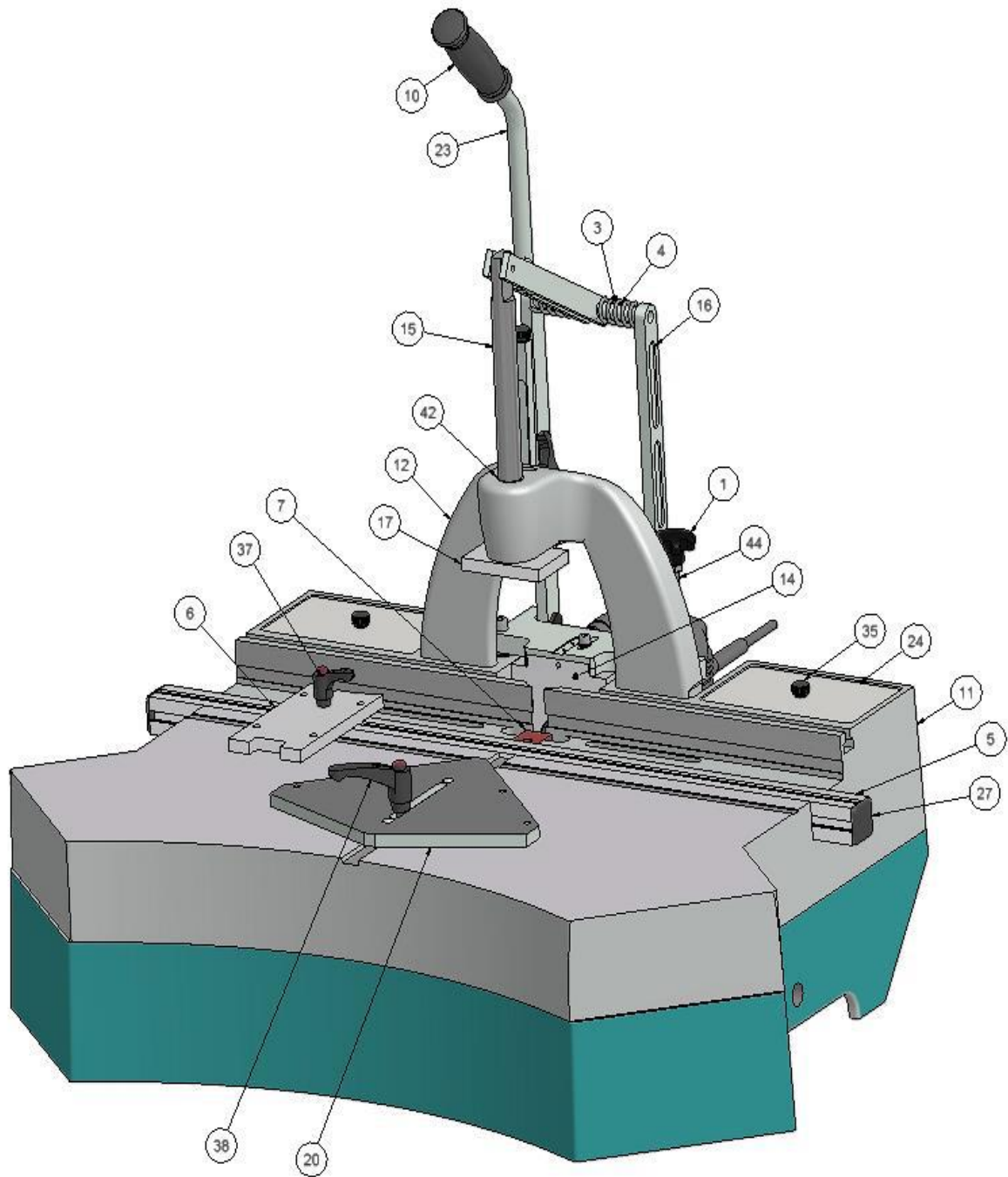
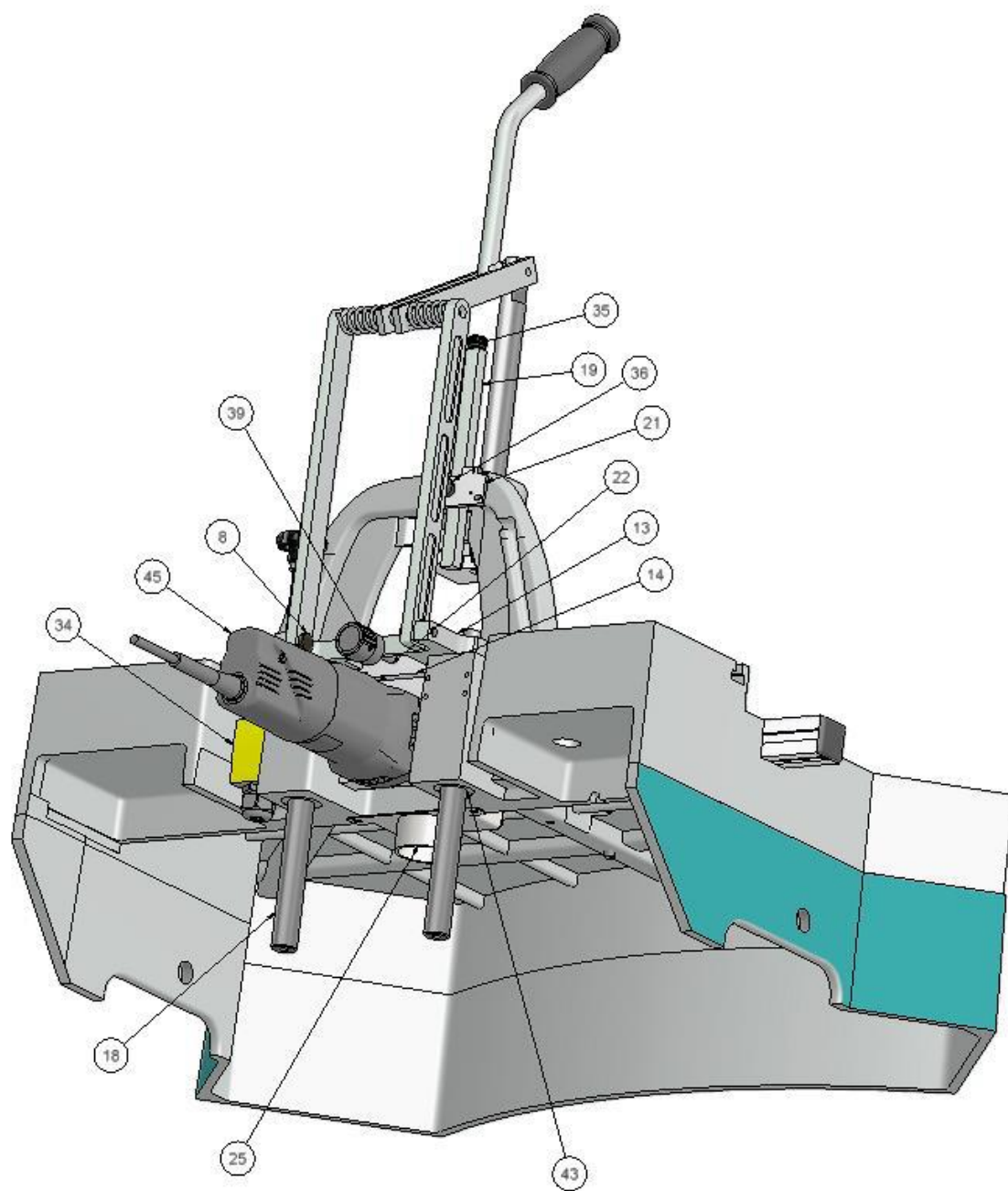


Hoffmann MU3 Machine Drawings and Parts List.





Pos	Part Number	Description	Qty.
1	06220-208	Star Handle, M8	1
2	xxx	HOFFMANN dovetail router bit	1
3	2000016-00-4	Torsion Spring Set	2
4	200006-00-4	Shaft	1
5	200009-00-4	Recessed fence rail	1
6	W3020001	Square Stop MU- 3	1
7	W2000015	Chip breaker, square	1
8	200022-01-4	Shoulder Screw	2
9	310003-01-4	Guide	2
10	590.380.016.100. 90	Handle, rubber, black	1
11	7.205.00.01-02	Base casting and table unit – MU3	1
12	7.205.00.02-02	Arch casting – MU3	1
13	7.205.00.03-04	Motor carriage plate- MU3	1
14	7.205.00.04-02	Motor bracket- MU3	1
15	7.205.00.05	Material clamp rod	1
16	7.205.00.07-02	Connecting arm - vertical	2
17	7.205.00.08-02	Material hold- down plate	1
18	7.205.00.09	Precision guide rods	2
19	7.205.00.12-02	Height adjustment bar	1
20	W3060001	Fence Plate, 45 degr., MU-3	1
21	7.205.00.17-03	Locking Lever, height adjustment bar	1
22	7.205.00.19-01	Motor Adjustment Spindle	1
23	7.205.00.20	Main lever – MU3	1
24	7.205.00.21	Cover plate	2
25	7.205.00.24-02	Dust collection port assembly	1
26	7.205.00.30-01-02	Cover	1
27	6 30x30	End cover cap, 30x30	2
28	DIN 125-1 - B 6,4	Washer	1
29	DIN 6799 - 5	Safety Ring	1
30	DIN 705 - B6	Ring	1
31	DIN 912 - M6 x 20	Bolt	1
32	DIN 912 - M8 x 30	Bolt	2
33	DLR 20	Guide Rod Seal D=25x32x4	2
34	EATON_LS11-S	Limit Switch with plunger	1
35	K0110.005X10	Knurled knob	3
36	K0269.71105x20	Locking Lever	1

37	K0269.71106x30	Locking Lever	1
38	K0269.71208x30	Locking Lever	1
39	GN 626-27-B6-S	Fine adjustment knob	1
42	DU-Buchse 20-23-20	Guide	2
43	LME-20-UU	Linear bearing	4
44	M8-100	Threaded stem	1
45	W3900046	HOFFMANN router motor 120 volt-885w	1